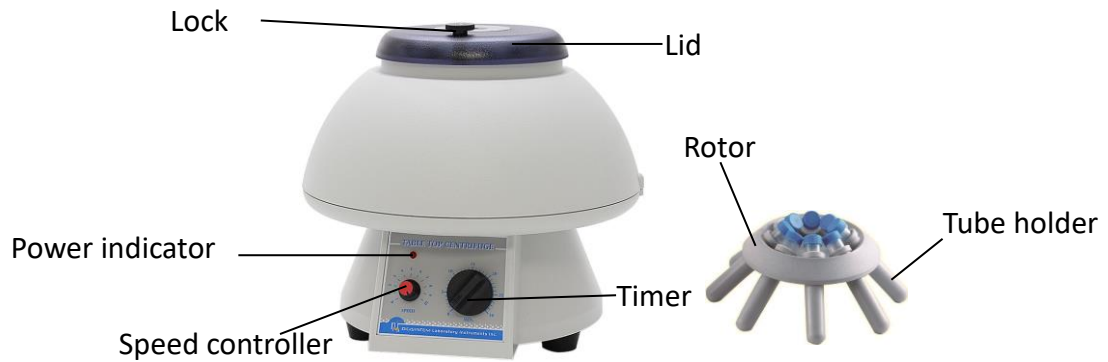


INSTRUCTION MANUAL FOR CENTRIFUGE DSC-200T



Warnings:

- * Do not open the lid before the centrifuge stops completely.
- * Do not remove the centrifuge during operation.
- * Do not put objects on the top of the lid.
- * Do not disassemble the centrifuge by yourself. In the event of a malfunction, the centrifuge should be repaired by a qualified technician. Before repairing, turn off the power.

Steps:

1. Place the centrifuge on a flat surface. Plug the centrifuge into a properly grounded outlet which corresponds with the electrical requirements on the label back on machine.
2. Press and turn the 'Lock' left or right to open the 'Lid' of the centrifuge, then, place the tubes with specimen (each tube must be an equivalent in weight) into the 'Tube holder', and then insert them into the 'Rotor'. If only one specimen is tested, you should put other empty tubes with water in equal weight together with 'Tube holder' into the Rotor for centrifugal.
3. Put the 'Lid' down gently, and turn the 'Lock' left or right to close the 'Lid'.
4. Turn the 'Timer' over the required scale, then return the time calibration as required scale. (For instance, you need 5 minutes for centrifugal, but you need to wind to 7 or 8 minute scale at first, then return back to 5 minute scale.) Then, the 'Power indicator' lights up.
5. Adjust the 'Speed controller' to the desired setting .
6. The centrifugal time reaches to the end, then a sound 'DON' to be heard.
7. After the 'Rotor' stops completely, open the 'Lid' and take out the specimen.

Notes:

During the operation, there are two methods ((1) and (2)) to stop the machine emergently.

(1) Open the 'Lid', and then the safety switch device will cut off the power. The machine will stop in

minutes.

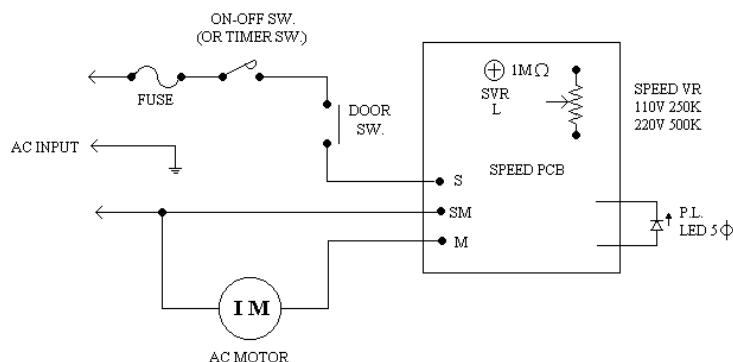
(2) Turn the 'TIMER' counterclockwise to 0, and then you will hear the sound "DON". The machine will stop in minutes.

Please note that you can open the 'Lid' only after the 'Rotor' stops completely.

Maintenance and care:

1. Keep the centrifuge clean all the time. Cleaning can be done with a damp cloth. Avoid the use of solvents as they may damage the product housing, rotor.
2. Check if the rotor is in the center. In case, the rotor is slanted. Stop using machine and contact the distributor for repair.

Circuit Diagram:



Service Manual

Troubleshooting Guide

Caution: Always disconnect the power cord before troubleshooting.

Trouble	Cause	Remedy
Motor is not working	Power cord is not securely connected.	Reconnect it securely.
	Fuse is burnt.	Replace a fuse.
	Time switch is not set.	Turn the timer to a required scale.
	Lid is not closed well.	Open lid and close it again.
	The setting of micro switch is not proper or it is broken.	Contact your distributor for repair.
	The wiring of motor is not well.	Contact your distributor for repair.
LED power indicator can not light up	The wiring of PC board and LED is not well.	Contact your distributor for repair.
	The LED is broken.	Contact your distributor for repair.
Motor can't stop	The time switch is not at zero.	Turn it to zero.
The power is not cut off when open the lid	The setting of micro switch is not proper.	Contact your distributor for repair.
Timer is not accurate	Timer is not set by the correct procedures.	Read the operation manual and set it again.
	Timer is broken.	Contact your distributor for repair.
The rotor is slanted	Motor mount is worn-out.	Contact your distributor for repair.